

PLEASE CHECK WWW.MOLEX.COM FOR LATEST PART INFORMATION

Part Number: [0395314002](#)
Status: **Active**
Description: 5.08mm (.200") Pitch Eurostyle™ Vertical PCB Header, Surface Mount Compatible, 2 Circuits

Documents:

[3D Model](#) [Product Specification PS-39500-001 \(PDF\)](#)
[Drawing \(PDF\)](#) [RoHS Certificate of Compliance \(PDF\)](#)

General

Product Family	Terminal Blocks
Series	39531
Application	Wire-to-Board
Component Type	PCB Header
Product Literature Order No	USA-355
Product Name	ESE, Eurostyle™ Pluggable
Type	Euro Block

Physical

Circuits (Loaded)	2
Entry Angle	N/A
Lock to Mating Part	Yes
Number of Rows	1
Orientation	Vertical
PC Tail Length (in)	0.200 In
PC Tail Length (mm)	5.08 mm
PCB Thickness Recommended (in)	0.125 In
PCB Thickness Recommended (mm)	5.08 mm
Panel Mount	No
Pitch - Mating Interface (in)	0.200 In
Pitch - Mating Interface (mm)	5.08 mm
Polarized to Mating Part	Yes
Shrouded	Closed Ends
Stackable	No
Surface Mount Compatible (SMC)	Yes
Temperature Range - Operating	-40°C to +140°C
Wire Size AWG	N/A

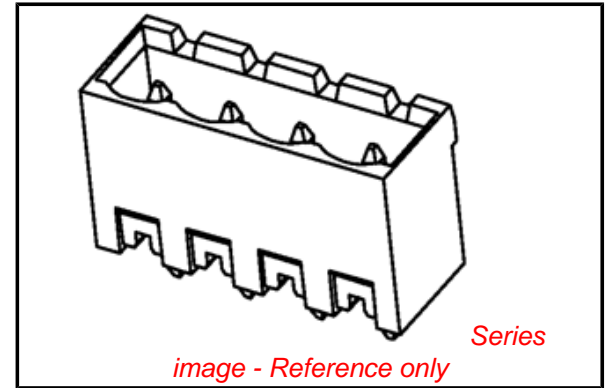
Electrical

Current - Maximum per Contact	15A
Voltage - Maximum	300V

Material Info

Reference - Drawing Numbers

Product Specification	PS-39500-001
Sales Drawing	SD-39501-002, SD-39531-001



EU RoHS

ELV and RoHS Compliant
REACH SVHC
 Not Reviewed
Halogen-Free Status
 Not Reviewed

China RoHS



Need more information on product environmental compliance?

Email productcompliance@molex.com
 For a multiple part number RoHS Certificate of Compliance, [click here](#)

Please visit the [Contact Us](#) section for any non-product compliance questions.

Search Parts in this Series

[39531Series](#)

Mates With

[39530](#) Horizontal Plug, [39533](#) Vertical Plug, Most 5.08mm (.200") Pitch Industry Standard Plugs

3950X SERIES
3.50mm HEADERS



3952X & 3954X SERIES
5.00mm HEADERS
5.00mm 10 AMP FIXED



3953X SERIES
5.08mm HEADERS



3951X SERIES
3.81mm HEADERS



3954X SERIES
5.00mm 15 AMP FIXED



3954X SERIES
5.08mm 15 AMP FIXED



NOTES:

- REFER TO INDIVIDUAL PRODUCT SALES DRAWINGS FOR "B" DIMENSION.
- DOES NOT APPLY TO DUAL LEVEL HEADERS, SERIES 39528 AND 39538.
- TYP. = TYPICAL.

INITIAL RELEASE
EC NO: ETC2007-0096
DRWN: CLYORK 2006/10/02
CHKD: JMACNEIL 2006/10/04
APPR: JMACNEIL 2006/10/04

QUALITY SYMBOLS
 = 0
 = 0.05
 = 0.13
 = 0.3
 DESCRIPTION
 REV A

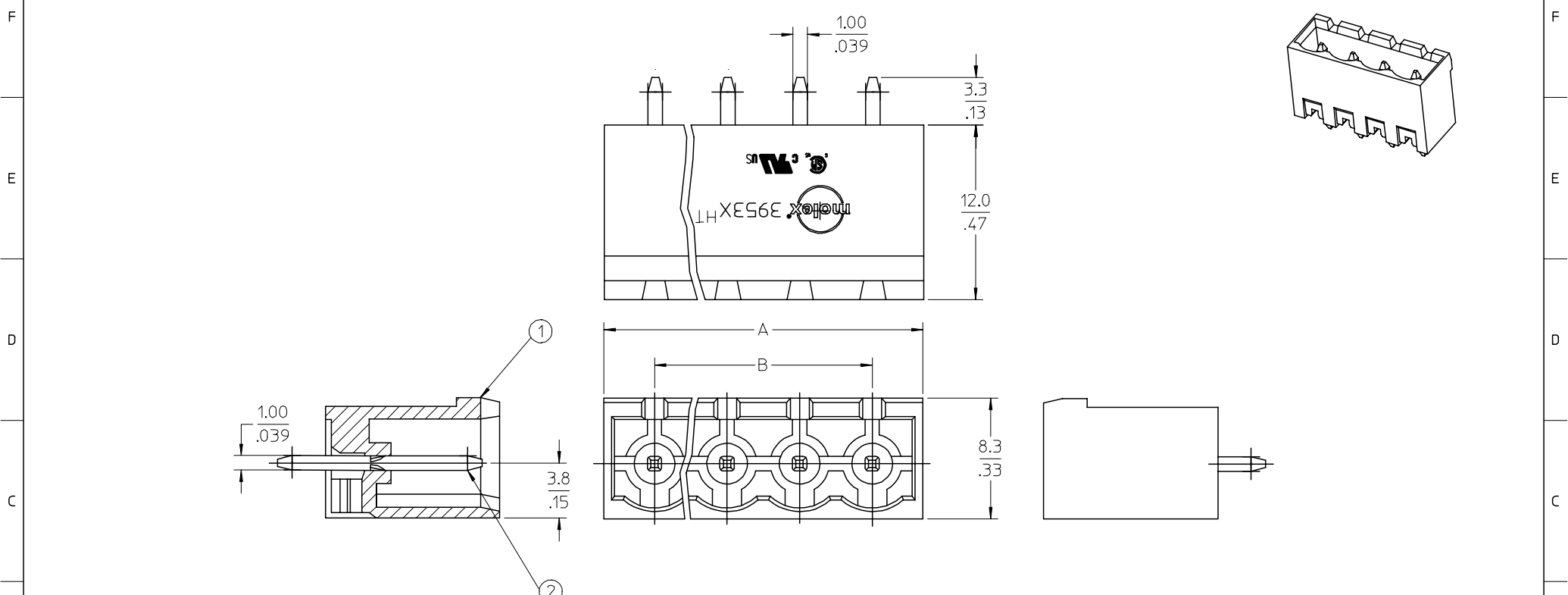
GENERAL TOLERANCES (UNLESS SPECIFIED)	
	MM/INCH
4 PLACES	± --- ± ---
3 PLACES	± --- ± .005
2 PLACES	± 0.13 ± .01
1 PLACE	± 0.3 ± ---
ANGULAR ± 2 °	
DRAFT WHERE APPLICABLE MUST REMAIN WITHIN DIMENSIONS	

DIMENSION STYLE	
MM/IN	
DRAWN BY	DATE
C. YORK	2006/08/25
CHECKED BY	DATE
J. MACNEIL	2006/08/25
APPROVED BY	DATE
J. MACNEIL	2006/08/25
MATERIAL NO.	
--	

SCALE	DESIGN UNITS	THIRD ANGLE PROJECTION
3:1	INCH	
TITLE		
RECOMMENDED PCB LAYOUT FOR ESE TERMINAL BLOCKS		
APPROVED BY		
J. MACNEIL		
DATE		
2006/08/25		
DOCUMENT NO.		SHEET NO.
SD-39501-002		1 OF 1
MATERIAL NO.		

SIZE		
B		
THIS DRAWING CONTAINS INFORMATION THAT IS PROPRIETARY TO MOLEX INCORPORATED AND SHOULD NOT BE USED WITHOUT WRITTEN PERMISSION		

10 9 8 7 6 5 4 3 2 1



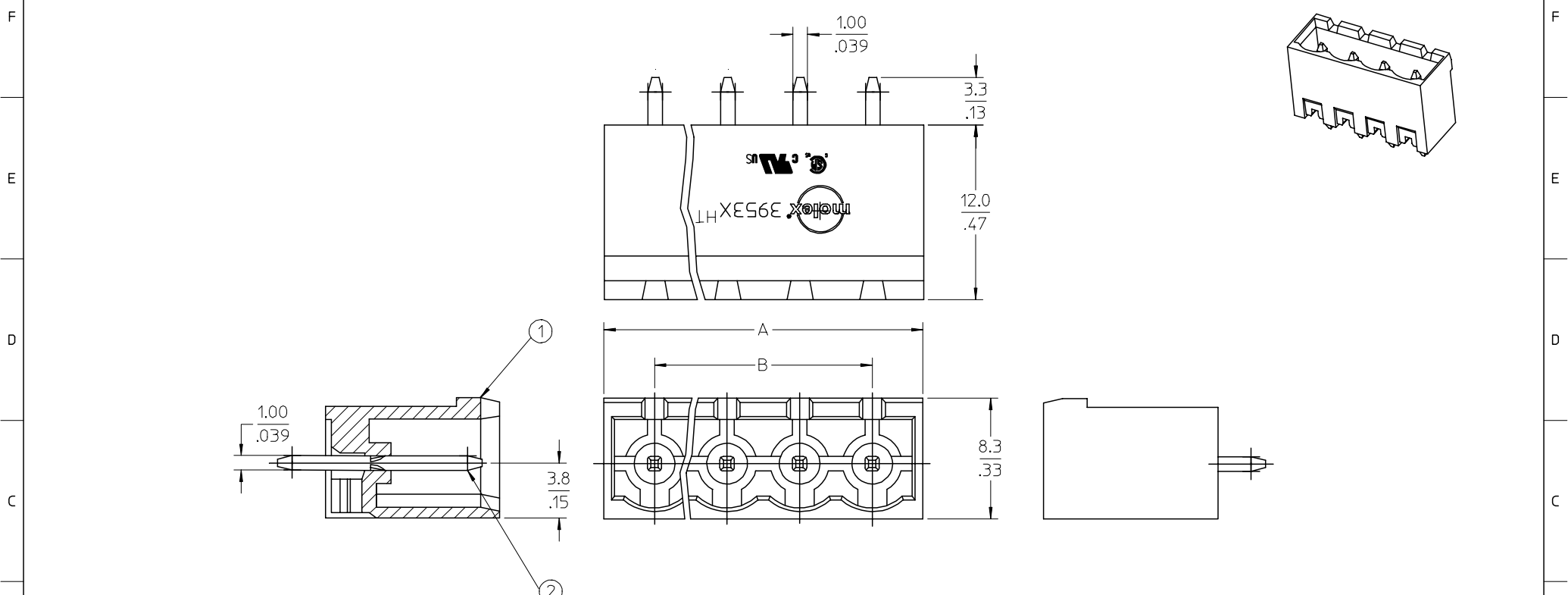
SPECIFICATIONS:

- 1. Material:
- (1). Body: PA46
- (2). Pin: Brass
- 2. Wire range: N/A
- 3. Electrical rating: 300V, 15A.
- 4. Wire strip length: N/A
- 5. Operating temperature: -40C to +140C.
- 6. Max torque: N/A
- 7. Insulation resistance: DC 500V, 500M.
- 8. Dielectric withstand: AC 2500V for 1 minute.
- 9. Breakdown voltage: 4000V.
- 10. A = (N x P) x 2.0mm
- 11. B = (N - 1) x P
- 12. P (PITCH) = 5.08mm (.200").
- 13. N = Number of positions available 2 through 24.

ENTER DESCRIPTION EC NO: NEO2006-0310 DRWNL: LROTHAUS 2006/01/09 CHKD: CYORK 2006/01/09 APPR: JPAWLICK 2006/01/10 DESCRIPTION REV A	QUALITY SYMBOLS	GENERAL TOLERANCES (UNLESS SPECIFIED)	DIMENSION STYLE	SCALE	DESIGN UNITS	THIRD ANGLE PROJECTION	
	▽=0 ▽=0	mm INCH 4 PLACES ± --- ±.0015 3 PLACES ±0.038 ±.005 2 PLACES ±0.13 ±.01 1 PLACE ±0.3 ± --- ANGULAR ± 2 °	MM/IN	4:1	INCH		
		DRAFT WHERE APPLICABLE MUST REMAIN WITHIN DIMENSIONS	DRAWN BY: LROTHAUS CHECKED BY: C. YORK APPROVED BY:	DATE: 12/6/05 DATE: 01/06/06 DATE:	TITLE: 5.08MM, EURO HEADER, VERTICAL, HI-TEMP		
			MATERIAL NO. SEE CHART	DOCUMENT NO. SD-39531-001	MOLEX INCORPORATED		
			SIZE B	THIS DRAWING CONTAINS INFORMATION THAT IS PROPRIETARY TO MOLEX INCORPORATED AND SHOULD NOT BE USED WITHOUT WRITTEN PERMISSION			SHEET NO. 1 OF 1

ib_frame_B_P_AM_T Rev. D 2004/06/28 9 8 7 6 5 4 3 2 1

10 9 8 7 6 5 4 3 2 1



SPECIFICATIONS:

- 1. Material:
- (1). Body: PA46
- (2). Pin: Brass
- 2. Wire range: N/A
- 3. Electrical rating: 300V, 15A.
- 4. Wire strip length: N/A
- 5. Operating temperature: -40C to +140C.
- 6. Max torque: N/A
- 7. Insulation resistance: DC 500V, 500M.
- 8. Dielectric withstand: AC 2500V for 1 minute.
- 9. Breakdown voltage: 4000V.
- 10. A = (N x P) x 2.0mm
- 11. B = (N - 1) x P
- 12. P (PITCH) = 5.08mm (.200").
- 13. N = Number of positions available 2 through 24.

ENTER DESCRIPTION EC NO: NEO2006-0310 DRWNL: LROTHAUS 2006/01/09 CHKD: CYORK 2006/01/09 APPR: JPAWLICK 2006/01/10 DESCRIPTION REV A	QUALITY SYMBOLS	GENERAL TOLERANCES (UNLESS SPECIFIED)	DIMENSION STYLE	SCALE	DESIGN UNITS	THIRD ANGLE PROJECTION	
	▽=0 ▽=0	mm INCH 4 PLACES ± --- ±.0015 3 PLACES ±0.038 ±.005 2 PLACES ±0.13 ±.01 1 PLACE ±0.3 ± --- ANGULAR ± 2 °	MM/IN	4:1	INCH		
		DRAFT WHERE APPLICABLE MUST REMAIN WITHIN DIMENSIONS	DRAWN BY: LROTHAUS CHECKED BY: C. YORK APPROVED BY:	DATE: 12/6/05 DATE: 01/06/06 DATE:	TITLE: 5.08MM, EURO HEADER, VERTICAL, HI-TEMP		
			MATERIAL NO. SEE CHART	DOCUMENT NO. SD-39531-001	MOLEX INCORPORATED		
			SIZE B	THIS DRAWING CONTAINS INFORMATION THAT IS PROPRIETARY TO MOLEX INCORPORATED AND SHOULD NOT BE USED WITHOUT WRITTEN PERMISSION			SHEET NO. 1 OF 1

ib_frame_B_P_AM_T Rev. D 2004/06/28 9 8 7 6 5 4 3 2 1

Description	Circuit Size	Material Numbers												Dimensional Information			
		Black						Green						Dim. A		Dim. B	
		100% Tin			30 u" Gold			100% Tin			30 u" Gold						
		Printing Options		Printing Options		Printing Options		Printing Options		Printing Options		Printing Options					
None	10AV	11AV	None	10AV	11AV	None	10AV	11AV	None	10AV	11AV	mm	inch	mm	inch		
5.08mm, Euro Header, Vertical, High Temp	2	395314002	395314302	395314402	395314502	395314802	395314902	395319002	395319302	395319402	395319502	395319802	395319902	12.16	0.479	5.08	0.200
5.08mm, Euro Header, Vertical, High Temp	3	395314003	395314303	395314403	395314503	395314803	395314903	395319003	395319303	395319403	395319503	395319803	395319903	17.24	0.679	10.16	0.400
5.08mm, Euro Header, Vertical, High Temp	4	395314004	395314304	395314404	395314504	395314804	395314904	395319004	395319304	395319404	395319504	395319804	395319904	22.32	0.879	15.24	0.600
5.08mm, Euro Header, Vertical, High Temp	5	395314005	395314305	395314405	395314505	395314805	395314905	395319005	395319305	395319405	395319505	395319805	395319905	27.40	1.079	20.32	0.800
5.08mm, Euro Header, Vertical, High Temp	6	395314006	395314306	395314406	395314506	395314806	395314906	395319006	395319306	395319406	395319506	395319806	395319906	32.48	1.279	25.40	1.000
5.08mm, Euro Header, Vertical, High Temp	7	395314007	395314307	395314407	395314507	395314807	395314907	395319007	395319307	395319407	395319507	395319807	395319907	37.56	1.479	30.48	1.200
5.08mm, Euro Header, Vertical, High Temp	8	395314008	395314308	395314408	395314508	395314808	395314908	395319008	395319308	395319408	395319508	395319808	395319908	42.64	1.679	35.56	1.400
5.08mm, Euro Header, Vertical, High Temp	9	395314009	395314309	395314409	395314509	395314809	395314909	395319009	395319309	395319409	395319509	395319809	395319909	47.72	1.879	40.64	1.600
5.08mm, Euro Header, Vertical, High Temp	10	395314010	395314310	395314410	395314510	395314810	395314910	395319010	395319310	395319410	395319510	395319810	395319910	52.80	2.079	45.72	1.800
5.08mm, Euro Header, Vertical, High Temp	11	395314011	395314311	395314411	395314511	395314811	395314911	395319011	395319311	395319411	395319511	395319811	395319911	57.88	2.279	50.80	2.000
5.08mm, Euro Header, Vertical, High Temp	12	395314012	395314312	395314412	395314512	395314812	395314912	395319012	395319312	395319412	395319512	395319812	395319912	62.96	2.479	55.88	2.200
5.08mm, Euro Header, Vertical, High Temp	13	395314013	395314313	395314413	395314513	395314813	395314913	395319013	395319313	395319413	395319513	395319813	395319913	68.04	2.679	60.96	2.400
5.08mm, Euro Header, Vertical, High Temp	14	395314014	395314314	395314414	395314514	395314814	395314914	395319014	395319314	395319414	395319514	395319814	395319914	73.12	2.879	66.04	2.600
5.08mm, Euro Header, Vertical, High Temp	15	395314015	395314315	395314415	395314515	395314815	395314915	395319015	395319315	395319415	395319515	395319815	395319915	78.20	3.079	71.12	2.800
5.08mm, Euro Header, Vertical, High Temp	16	395314016	395314316	395314416	395314516	395314816	395314916	395319016	395319316	395319416	395319516	395319816	395319916	83.28	3.279	76.20	3.000
5.08mm, Euro Header, Vertical, High Temp	17	395314017	395314317	395314417	395314517	395314817	395314917	395319017	395319317	395319417	395319517	395319817	395319917	88.36	3.479	81.28	3.200
5.08mm, Euro Header, Vertical, High Temp	18	395314018	395314318	395314418	395314518	395314818	395314918	395319018	395319318	395319418	395319518	395319818	395319918	93.44	3.679	86.36	3.400
5.08mm, Euro Header, Vertical, High Temp	19	395314019	395314319	395314419	395314519	395314819	395314919	395319019	395319319	395319419	395319519	395319819	395319919	98.52	3.879	91.44	3.600
5.08mm, Euro Header, Vertical, High Temp	20	395314020	395314320	395314420	395314520	395314820	395314920	395319020	395319320	395319420	395319520	395319820	395319920	103.60	4.079	96.52	3.800
5.08mm, Euro Header, Vertical, High Temp	21	395314021	395314321	395314421	395314521	395314821	395314921	395319021	395319321	395319421	395319521	395319821	395319921	108.68	4.279	101.60	4.000
5.08mm, Euro Header, Vertical, High Temp	22	395314022	395314322	395314422	395314522	395314822	395314922	395319022	395319322	395319422	395319522	395319822	395319922	113.76	4.479	106.68	4.200
5.08mm, Euro Header, Vertical, High Temp	23	395314023	395314323	395314423	395314523	395314823	395314923	395319023	395319323	395319423	395319523	395319823	395319923	118.84	4.679	111.76	4.400
5.08mm, Euro Header, Vertical, High Temp	24	395314024	395314324	395314424	395314524	395314824	395314924	395319024	395319324	395319424	395319524	395319824	395319924	123.92	4.879	116.84	4.600

SEE SHEET 1 EC NO: NEC2006-0310 DRWN: LROTHAUS 2006/01/09 CHKD: CYORK 2006/01/09 APPR: JPANLI CK 2006/01/10	QUALITY SYMBOLS	GENERAL TOLERANCES (UNLESS SPECIFIED)	DIMENSION STYLE	SCALE	DESIGN UNITS	THIRD ANGLE PROJECTION
	▽=0 ▽=0	mm INCH 4 PLACES ± --- ±.0015 3 PLACES ± 0.038 ±.005 2 PLACES ± 0.13 ±.01 1 PLACE ± 0.3 ± --- ANGULAR ± 2 °	MM/IN	4:1	INCH	
	DESCRIPTION	DRAFT WHERE APPLICABLE MUST REMAIN WITHIN DIMENSIONS	DRAWN BY DATE LROTHAUS 12/6/05 CHECKED BY DATE C. YORK 01/04/06 APPROVED BY DATE	TITLE	5.08MM, EURO HEADER, VERTICAL, HI-TEMP	
	REV		MATERIAL NO.	DOCUMENT NO.	SHEET NO.	
A		SEE CHART	SD-39531-001	2 OF 2		
			THIS DRAWING CONTAINS INFORMATION THAT IS PROPRIETARY TO MOLEX INCORPORATED AND SHOULD NOT BE USED WITHOUT WRITTEN PERMISSION			

Description	Circuit Size	Material Numbers												Dimensional Information			
		Black						Green						Dim. A		Dim. B	
		100% Tin			30 u" Gold			100% Tin			30 u" Gold						
		Printing Options		Printing Options		Printing Options		Printing Options		Printing Options		Printing Options					
None	10AV	11AV	None	10AV	11AV	None	10AV	11AV	None	10AV	11AV	mm	inch	mm	inch		
5.08mm, Euro Header, Vertical, High Temp	2	395314002	395314302	395314402	395314502	395314802	395314902	395319002	395319302	395319402	395319502	395319802	395319902	12.16	0.479	5.08	0.200
5.08mm, Euro Header, Vertical, High Temp	3	395314003	395314303	395314403	395314503	395314803	395314903	395319003	395319303	395319403	395319503	395319803	395319903	17.24	0.679	10.16	0.400
5.08mm, Euro Header, Vertical, High Temp	4	395314004	395314304	395314404	395314504	395314804	395314904	395319004	395319304	395319404	395319504	395319804	395319904	22.32	0.879	15.24	0.600
5.08mm, Euro Header, Vertical, High Temp	5	395314005	395314305	395314405	395314505	395314805	395314905	395319005	395319305	395319405	395319505	395319805	395319905	27.40	1.079	20.32	0.800
5.08mm, Euro Header, Vertical, High Temp	6	395314006	395314306	395314406	395314506	395314806	395314906	395319006	395319306	395319406	395319506	395319806	395319906	32.48	1.279	25.40	1.000
5.08mm, Euro Header, Vertical, High Temp	7	395314007	395314307	395314407	395314507	395314807	395314907	395319007	395319307	395319407	395319507	395319807	395319907	37.56	1.479	30.48	1.200
5.08mm, Euro Header, Vertical, High Temp	8	395314008	395314308	395314408	395314508	395314808	395314908	395319008	395319308	395319408	395319508	395319808	395319908	42.64	1.679	35.56	1.400
5.08mm, Euro Header, Vertical, High Temp	9	395314009	395314309	395314409	395314509	395314809	395314909	395319009	395319309	395319409	395319509	395319809	395319909	47.72	1.879	40.64	1.600
5.08mm, Euro Header, Vertical, High Temp	10	395314010	395314310	395314410	395314510	395314810	395314910	395319010	395319310	395319410	395319510	395319810	395319910	52.80	2.079	45.72	1.800
5.08mm, Euro Header, Vertical, High Temp	11	395314011	395314311	395314411	395314511	395314811	395314911	395319011	395319311	395319411	395319511	395319811	395319911	57.88	2.279	50.80	2.000
5.08mm, Euro Header, Vertical, High Temp	12	395314012	395314312	395314412	395314512	395314812	395314912	395319012	395319312	395319412	395319512	395319812	395319912	62.96	2.479	55.88	2.200
5.08mm, Euro Header, Vertical, High Temp	13	395314013	395314313	395314413	395314513	395314813	395314913	395319013	395319313	395319413	395319513	395319813	395319913	68.04	2.679	60.96	2.400
5.08mm, Euro Header, Vertical, High Temp	14	395314014	395314314	395314414	395314514	395314814	395314914	395319014	395319314	395319414	395319514	395319814	395319914	73.12	2.879	66.04	2.600
5.08mm, Euro Header, Vertical, High Temp	15	395314015	395314315	395314415	395314515	395314815	395314915	395319015	395319315	395319415	395319515	395319815	395319915	78.20	3.079	71.12	2.800
5.08mm, Euro Header, Vertical, High Temp	16	395314016	395314316	395314416	395314516	395314816	395314916	395319016	395319316	395319416	395319516	395319816	395319916	83.28	3.279	76.20	3.000
5.08mm, Euro Header, Vertical, High Temp	17	395314017	395314317	395314417	395314517	395314817	395314917	395319017	395319317	395319417	395319517	395319817	395319917	88.36	3.479	81.28	3.200
5.08mm, Euro Header, Vertical, High Temp	18	395314018	395314318	395314418	395314518	395314818	395314918	395319018	395319318	395319418	395319518	395319818	395319918	93.44	3.679	86.36	3.400
5.08mm, Euro Header, Vertical, High Temp	19	395314019	395314319	395314419	395314519	395314819	395314919	395319019	395319319	395319419	395319519	395319819	395319919	98.52	3.879	91.44	3.600
5.08mm, Euro Header, Vertical, High Temp	20	395314020	395314320	395314420	395314520	395314820	395314920	395319020	395319320	395319420	395319520	395319820	395319920	103.60	4.079	96.52	3.800
5.08mm, Euro Header, Vertical, High Temp	21	395314021	395314321	395314421	395314521	395314821	395314921	395319021	395319321	395319421	395319521	395319821	395319921	108.68	4.279	101.60	4.000
5.08mm, Euro Header, Vertical, High Temp	22	395314022	395314322	395314422	395314522	395314822	395314922	395319022	395319322	395319422	395319522	395319822	395319922	113.76	4.479	106.68	4.200
5.08mm, Euro Header, Vertical, High Temp	23	395314023	395314323	395314423	395314523	395314823	395314923	395319023	395319323	395319423	395319523	395319823	395319923	118.84	4.679	111.76	4.400
5.08mm, Euro Header, Vertical, High Temp	24	395314024	395314324	395314424	395314524	395314824	395314924	395319024	395319324	395319424	395319524	395319824	395319924	123.92	4.879	116.84	4.600

SEE SHEET 1 EC NO: NEC2006-0310 DRWN: LROTHAUS 2006/01/09 CHKD: CYORK 2006/01/09 APPR: J.PANLI CK 2006/01/10	QUALITY SYMBOLS	GENERAL TOLERANCES (UNLESS SPECIFIED)	DIMENSION STYLE	SCALE	DESIGN UNITS	THIRD ANGLE PROJECTION
	▽=0 ▽=0	mm INCH 4 PLACES ± --- ±.0015 3 PLACES ± 0.038 ±.005 2 PLACES ± 0.13 ±.01 1 PLACE ± 0.3 ± --- ANGULAR ± 2 °	MM/IN	4:1	INCH	
	DESCRIPTION	DRAFT WHERE APPLICABLE MUST REMAIN WITHIN DIMENSIONS	DRAWN BY DATE LROTHAUS 12/6/05 CHECKED BY DATE C. YORK 01/04/06 APPROVED BY DATE	TITLE	5.08MM, EURO HEADER, VERTICAL, HI-TEMP	
	REV		MATERIAL NO. SEE CHART	DOCUMENT NO. SD-39531-001	SHEET NO. 2 OF 2	